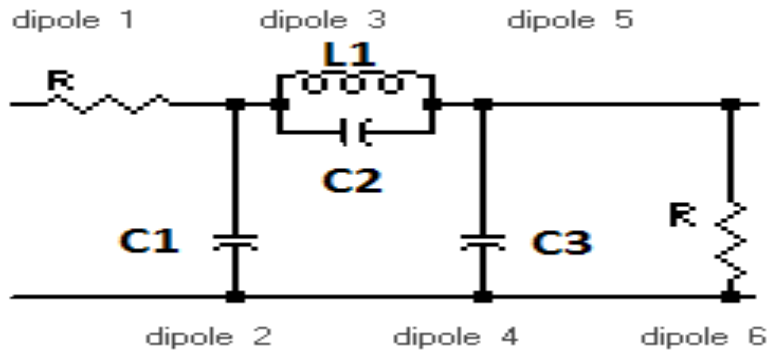


Avala-01 Mixer Low Pass Filter



Band	C1, C3	C2	L1	Measured Inductance Using AADE Meter	L1 Turns on T25 Toroid
160M	2800pF	160pF	3.3uH	3.5uH	32 Turns #32 wire
80M	820pF	150pF	1.4uH	1.8uH	22 Turns #32 wire
60M	820pF	100pF	1.2uH	1.28uH	19 Turns #28 wire
40M	820pF	68pF	.83uH	.82uH	15 Turns #28 wire
30M	560pF	68pF	.57uH	.57uH	14 Turns #28 wire
20M	330pF	56pF	.4uH	.44uH	12 Turns #28 wire
17M	300pF	22pF	.34uH	.37uH	11 Turns #28 wire
15M	180pF	22pF	.32uH	.36uH	11 Turns #28 wire
12M	180pF	22pF	.27uH	.26uH	9 Turns #28 wire
10M	180pF	22pF	.2uH	.21uH	8 Turns #28 wire

T25-2
T25-6
Tested